

4

3

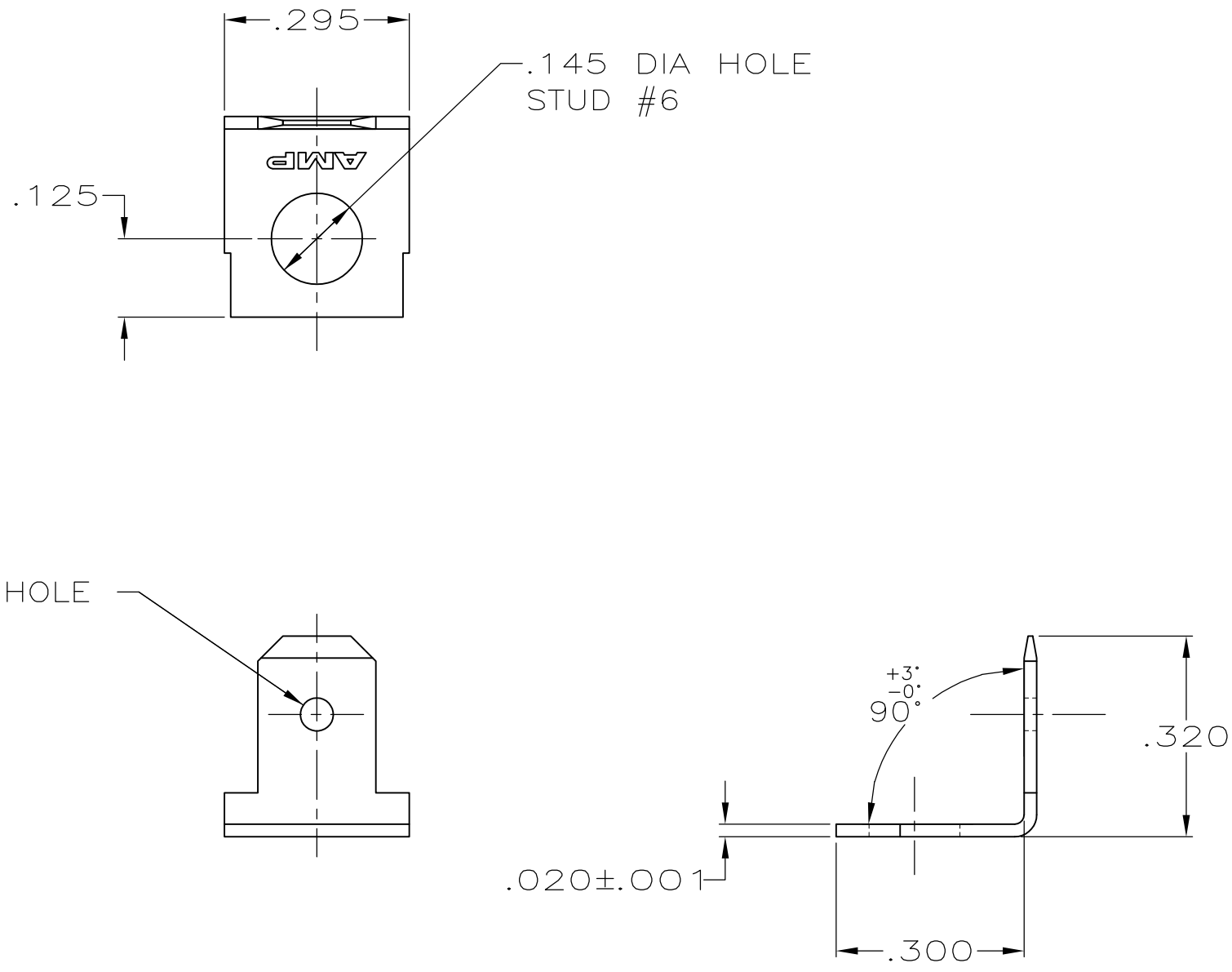
2

1

THIS DRAWING IS UNPUBLISHED. RELEASED FOR PUBLICATION - , - .
 © COPYRIGHT - By - ALL RIGHTS RESERVED.

LOC	DIST	REVISIONS					
AF	50	P	LTR	DESCRIPTION	DATE	DWN	APVD
		M		REVISED PER ECR-13-011489	05DEC2013	KH	PD

1 SUPPLIED IN LOOSE PIECE.



61407-3
 PART NO.

THIS DRAWING IS A CONTROLLED DOCUMENT.		DWN	JR RUTH	3/6/97	STE TE Connectivity			
DIMENSIONS: INCHES		CHK	MS FEHER	3/6/97				
		APVD	P DESANTIS	3/6/97				
		TOLERANCES UNLESS OTHERWISE SPECIFIED:		NAME		TAB, FASTON, .187 SERIES		
MATERIAL: BRASS		FINISH: TIN		PRODUCT SPEC	APPLICATION SPEC			
		WEIGHT	-		SIZE: A3	CAGE CODE: 00779	DRAWING NO: C-61407	RESTRICTED TO: -
		CUSTOMER DRAWING			SCALE: 4:1	SHEET: 1 OF 1	REV: M	